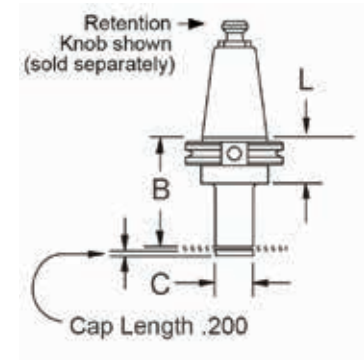


Slitting Saw

CAT40 Slitting Saw Holders



- Semi-flush nose cap gets in tight areas
- Change saw width without spacers
- Face is held perpendicular to center line within .0002"
- Pilot diameter is sized for precision fit with cutter and is keyed for positive drive
- Designed for slitting saws up to 5/16" thick — wider cutters use Stub Arbor Holder



CAT40 Slitting Saw Holders					
Taper	Cutter Size ID	Gage Length (B)	C	L	Part #
CAT40	1.00	4	1.50	1.38	RC4SS1000400
CAT40	1.25	4	2.00	1.38	RC4SS1250400

Slitting Saw Holder Replacement Parts & Accessories	
Description	Part #
Cap for 1" Pilot Holder	RSSC1000
Drive Key for 1" Pilot Holder	RSSDK1000
Cap for 1-1/4" Pilot Holder	RSSC1250
Drive Key for 1-1/4" Pilot Holder	RSSDK1250

Toolholders